

**PHENIKAA** 

PRODUCT'S CATALOGUE

# PHENIKAA ELECTRONICS CATALOGUE

PRESENT VERSION // 2021

**PHENIKAA ELECTRONICS**

 NO.167 HOANG NGAN STR.,TRUNG HOA,  
CAU GIAY, HA NOI (VIETNAM)

 HOA LAC HI-TECH PARK,  
THACH HOA, THACH THAT, HANOI (VIETNAM)

**HOTLINE (+84) 2 433 685 253**

**[WWW.PHENIKAA.COM](http://WWW.PHENIKAA.COM)**

PRODUCT'S CATALOGUE

# PHENIKAA ELECTRONICS CATALOGUE

PRESENT VERSION // 2021

| PHENIKAA  
PURE LIGHT

|| PHENIKAA  
SMART-HUE

10 LED BULB

18 LED TUBE

26 LED DOWNLIGHT

46 LED PANEL

48 LED SPOTLIGHT

52 SMART BULB

54 SMART DOWNLIGHT

# TABLE OF CONTENT

SMART DEVICES CATALOGUE

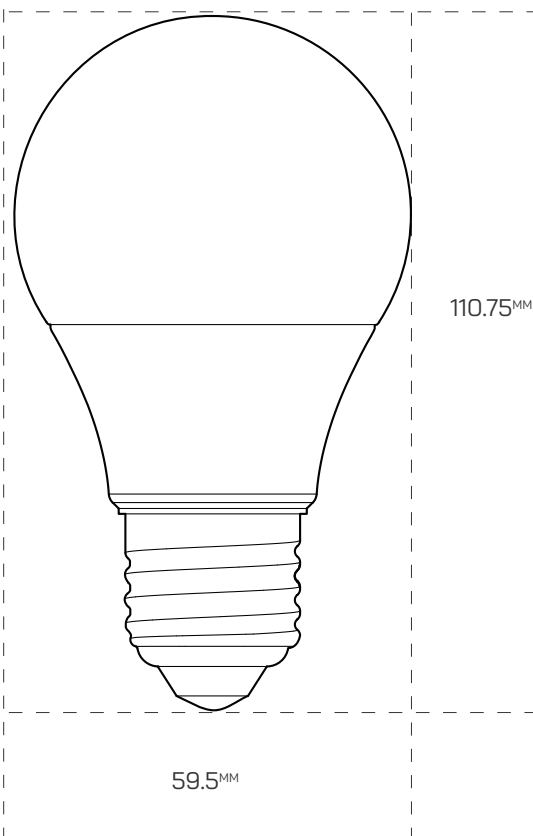


# PHENIKAA PURE-LIGHT

10	LED BULB
18	LED TUBE
26	LED DOWNLIGHT
46	LED PANEL
48	LED SPOTLIGHT

# A02/Bulb Pure Light

Model name	Power	Lighting Performance	Luminous Flux	Colour Temp	Colour Rendering Index
LED A02 7W 6500K	7W	110 lm/W	806 lm	6500K	80 Ra
LED A02 7W 4000K	7W	110 lm/W	806 lm	4000K	80 Ra
LED A02 7W 2700K	7W	100 lm/W	750 lm	2700K	80 Ra
LED A02 9W 6500K	9W	110 lm/W	1055 lm	6500K	80 Ra
LED A02 9W 4000K	9W	110 lm/W	1055 lm	4000K	80 Ra
LED A02 9W 2700K	9W	100 lm/W	1000 lm	2700K	80 Ra



## LED BULB A SERIES

H	110.75 mm
ØD	59.5 mm
Weight	44.9 g
Beam Angle	150°

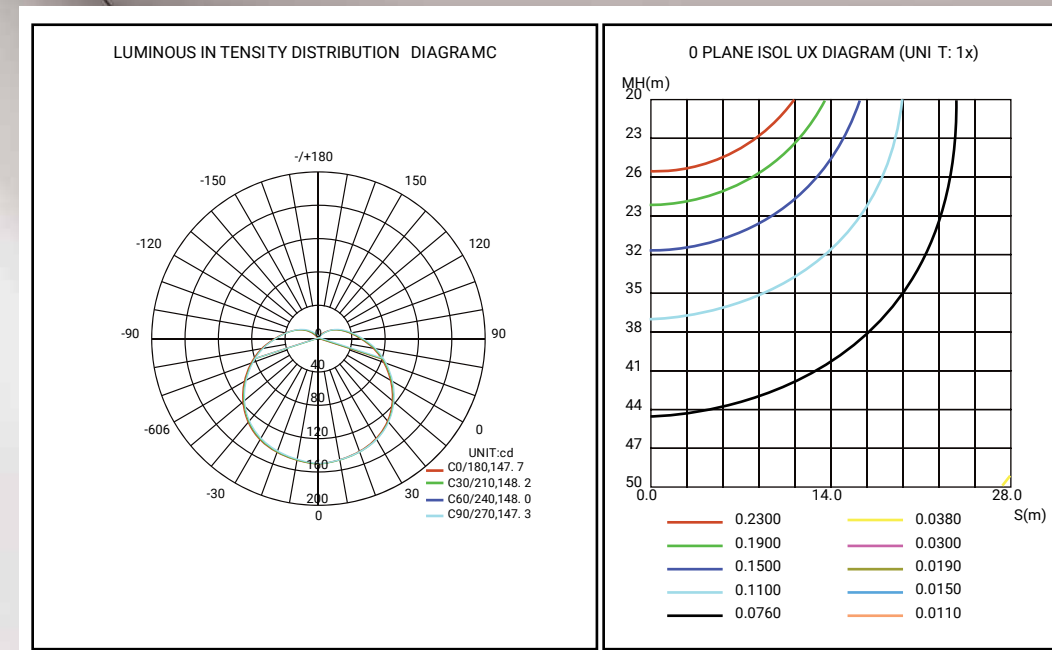
## ELECTRICAL SPECIFICATION

Input Voltage	150 - 250V
Input Frequency	50-60 Hz
Max Current	90 mA (9W) 60 mA (7W)
Power Factor	≥ 0.5
Insulation resistance	≥ 4MΩ
Inrush Time	< 0.5s
Electromagnetic interference	CISPR 15
Driver Type	Non-Isolated
Warranty	02 years

## GENERAL INFORMATION

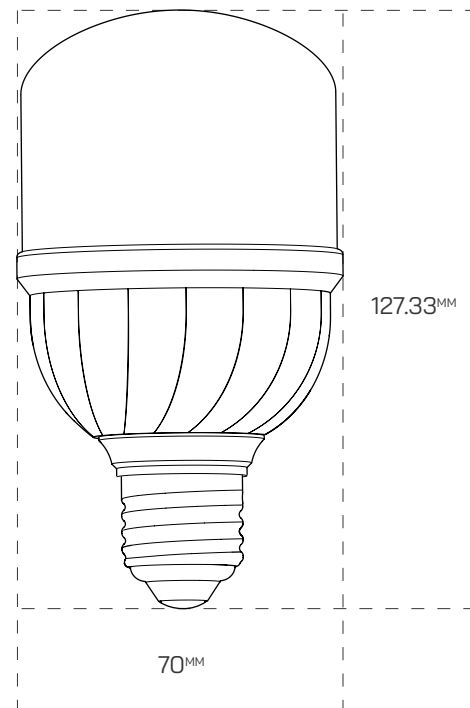
Lifetime	20,000
Switching Cycle	50,000 times
Mounting	E27 Base
Ambient Temperature	-10°C ~40°C
Storage Temperature	-20°C ~50°C
Ambient Humidity	85% RH
Storage Humidity	85% RH
Sensor	No
Dimable	No

APPLIED STANDARD TCVN8782/IEC 62560, TCVN 8783/IEC 62612, CISPR15



# TR01/Bulb Pure Light

Model name	Power	Lighting Performance	Luminous Flux	Colour Temp	Colour Rendering Index
LED TR01 12W 6500K	12W	105 lm/W	1360 lm	6500K	80 Ra
LED TR01 12W 4000K	12W	105 lm/W	1360 lm	4000K	80 Ra
LED TR01 12W 2700K	12W	95 lm/W	1200 lm	2700K	80 Ra



## LED BULB TR SERIES

H	127.33 mm
ØD	70 mm
Weight	70.1 g
Beam Angle	200°

## ELECTRICAL SPECIFICATION

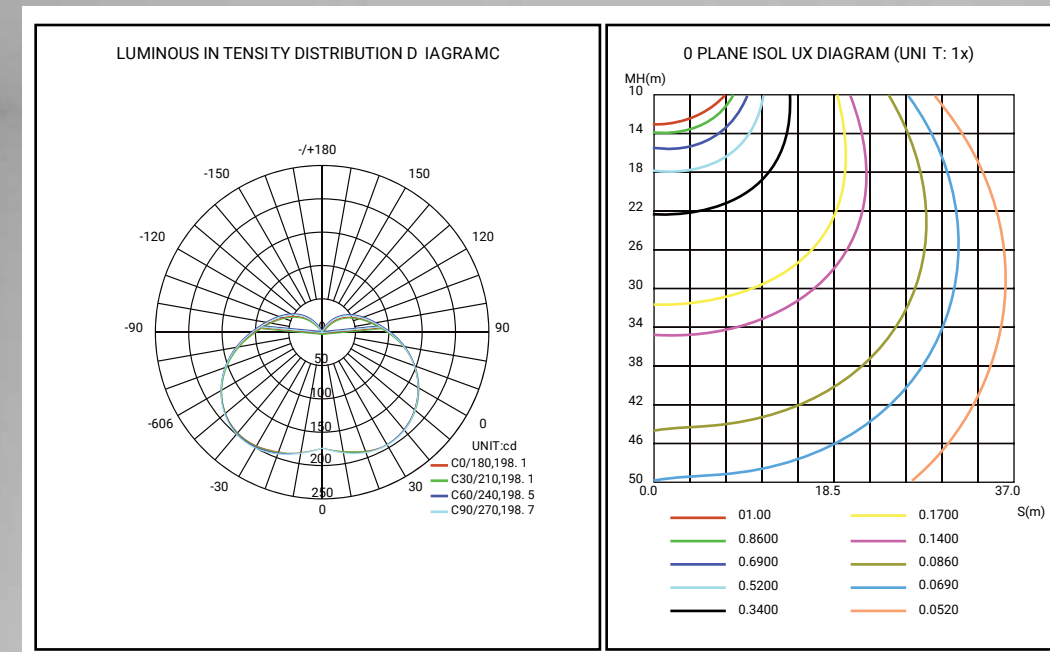
Input Voltage	150 - 250V
Input Frequency	50 Hz
Max Current	100mA
Power Factor	≥ 0.5
Insulation resistance	≥ 4MΩ
Inrush Time	< 0.5s
Electromagnetic interference	CISPR 15
Driver Type	Non-Isolated
Warranty	02 years

## GENERAL INFORMATION

Lifetime	20,000
Switching Cycle	50,000 times
Mounting	E27 Base
Ambient Temperature	-10°C ~40°C
Storage Temperature	-20°C ~50°C
Ambient Humidity	85% RH
Storage Humidity	85% RH
Sensor	No
Dimable	No

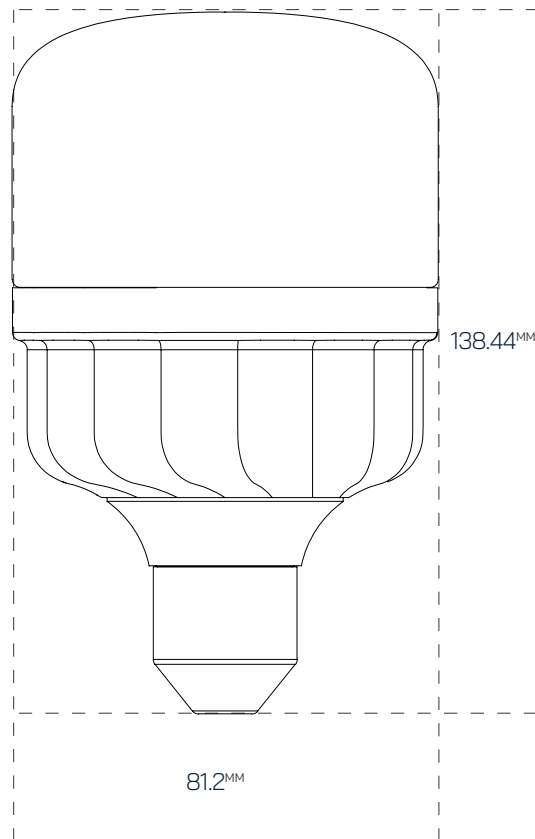
## APPLIED STANDARD

TCVN8782/IEC 62560, TCVN 8783/IEC 62612, TCVN 7186:2018/ CISPR15



# TR02/Bulb Pure Light

Model name	Power	Lighting Performance	Luminous Flux	Colour Temp	Colour Rendering Index
LED TR02 20W 6500K	20W	100 lm/W	2000 lm	6500K	83 Ra
LED TR02 20W 4000K	20W	100 lm/W	2000 lm	4000K	83 Ra
LED TR02 20W 2700K	20W	95 lm/W	1900 lm	2700K	83 Ra



## LED BULB TR SERIES

H	138.44 mm
ØD	81.2 mm
Weight	70.1 g
Beam Angle	200°

## ELECTRICAL SPECIFICATION

Input Voltage	150 - 250V
Input Frequency	50 Hz
Max Current	100mA
Power Factor	≥ 0.5
Insulation resistance	≥ 4MΩ
Inrush Time	< 0.5s
Electromagnetic interference	CISPR 15
Driver Type	Non-Isolated
Warranty	02 years

## GENERAL INFORMATION

Lifetime	20,000
Switching Cycle	50,000 times
Mounting	E27 Base
Ambient Temperature	-10°C ~40°C
Storage Temperature	-20°C ~50°C
Ambient Humidity	85% RH
Storage Humidity	85% RH
Sensor	No
Dimable	No

APPLIED STANDARD TCVN 8782:2017/ IEC 62560, TCVN 7186:2018/ CISPR 15  
TCVN8783/IEC62612:2013, ASTM B117, ISTA 2A

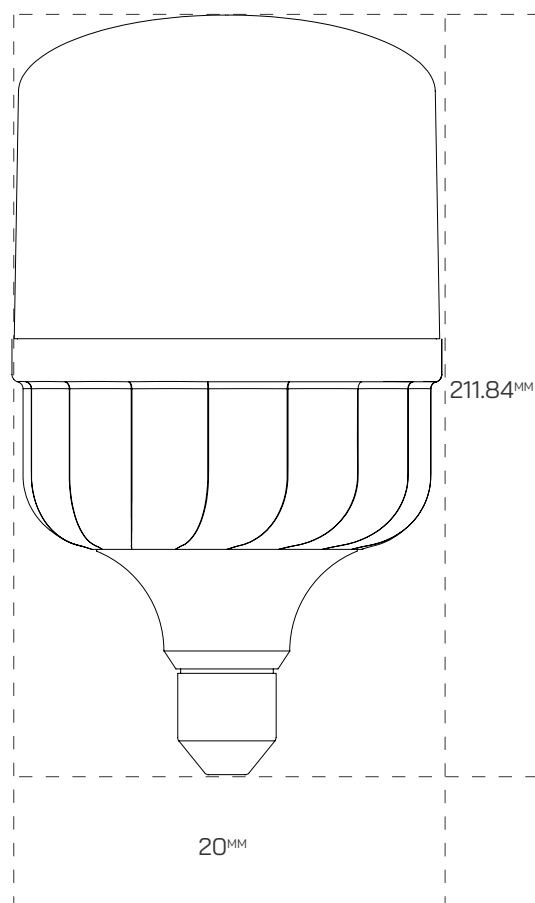


ĐANG ĐỢI DỮ LIỆU BIỂU ĐỒ CHÍNH THỨC TỪ R&D



# TR03/Bulb Pure Light

Model name	Power	Lighting Performance	Luminous Flux	Colour Temp	Colour Rendering Index
LED TR03 40W 6500K	40W	100 lm/W	4000 lm	6500K	83 Ra
LED TR03 40W 4000K	40W	100 lm/W	4000 lm	4000K	83 Ra
LED TR03 40W 2700K	40W	95 lm/W	3800 lm	2700K	83 Ra



## LED BULB TR SERIES

H	211.84 mm
ØD	20 mm
Weight	110 g
Beam Angle	200°

## ELECTRICAL SPECIFICATION

Input Voltage	150 - 250V
Input Frequency	50 Hz
Max Current	0.55A
Power Factor	≥ 0.5
Insulation resistance	≥ 4MΩ
Inrush Time	< 0.5s
Electromagnetic interference	CISPR 15
Driver Type	Non-Isolated
Warranty	02 years

## GENERAL INFORMATION

Lifetime	20,000
Switching Cycle	50,000 times
Mounting	E27 Base
Ambient Temperature	-10°C ~40°C
Storage Temperature	-20°C ~50°C
Ambient Humidity	85% RH
Storage Humidity	85% RH
Sensor	No
Dimable	No

## APPLIED STANDARD

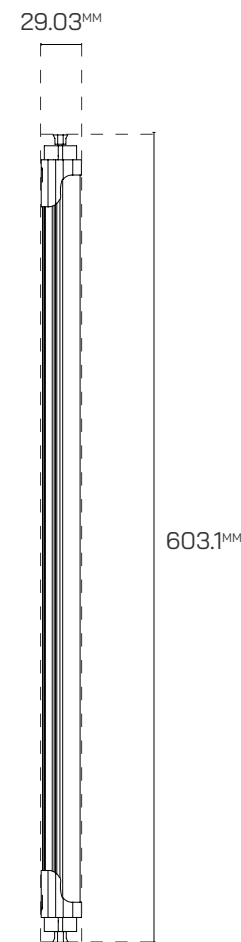
TCVN 8782:2017/ IEC 62560, TCVN 7186:2018/ CISPR 15, TCVN8783/IEC62612





# T01/Tube Pure Light

Model name	Power	Lighting Performance	Luminous Flux	Colour Temp	Colour Rendering Index
LED T019W 6500K	9W	90 lm/W	900 lm	6500K	80 Ra
LED T019W 4000K	9W	lm/W	900 lm	4000K	80 Ra
LED T019W 2700K	9W	lm/W	800 lm	2700K	80 Ra



## LED TUBE T SERIES

L	603.1 mm
W	29.03 mm
H	32.14 mm
Weight	150g
Beam Angle	120°

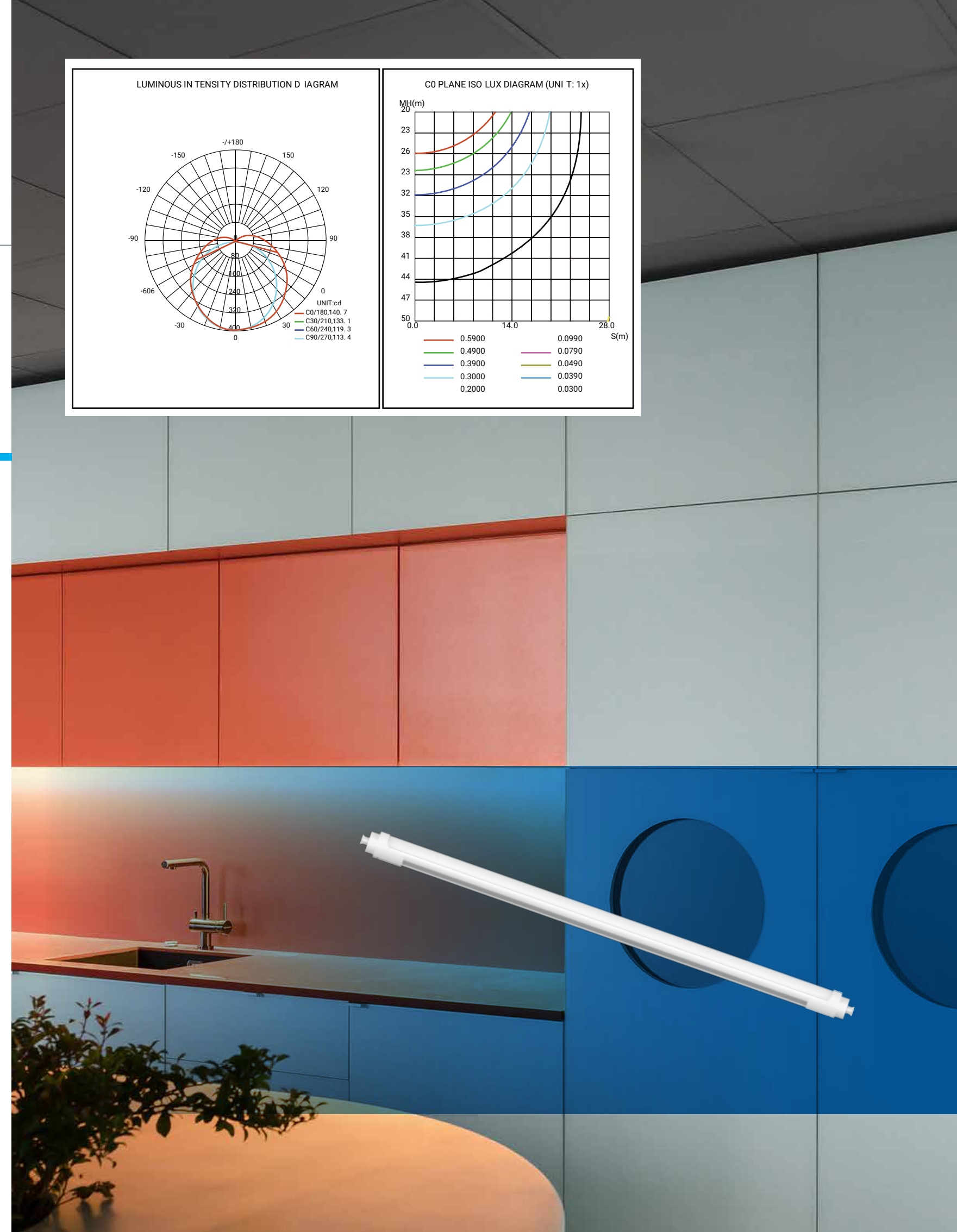
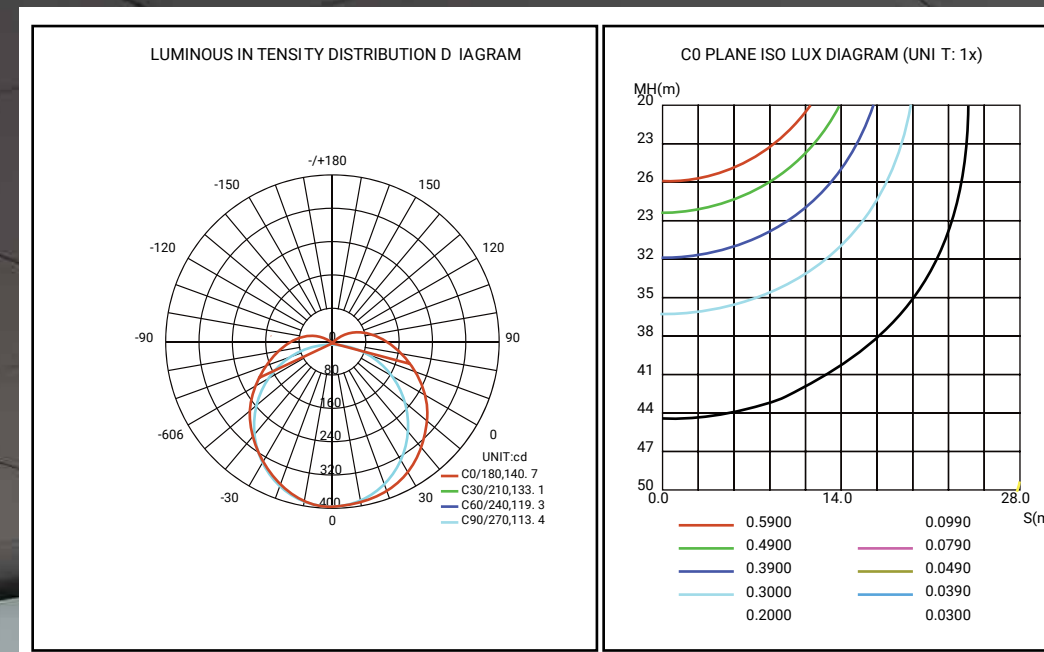
## ELECTRICAL SPECIFICATION

Input Voltage	180 - 250V
Input Frequency	50/60 Hz
Max Current	0.1A
Power Factor	≥ 0.5
Insulation resistance	≥ 4MΩ
Inrush Time	< 0.5s
Electromagnetic interference	CISPR 15
Driver Type	Non-Isolated
Warranty	02 years

## GENERAL INFORMATION

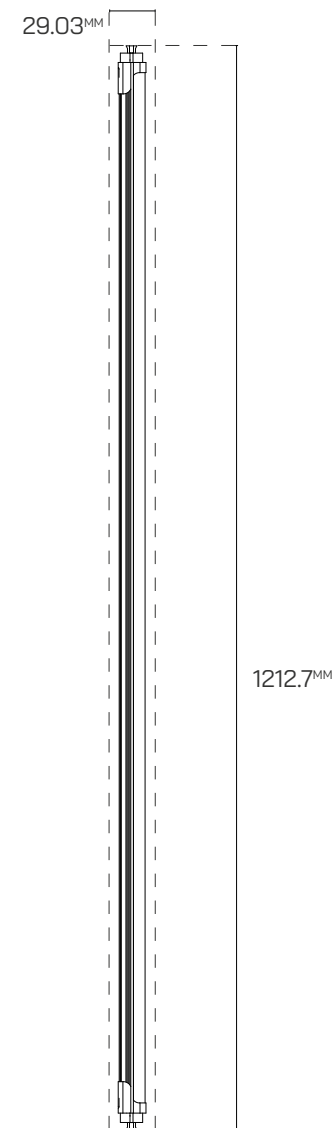
Lifetime	20,000
Switching Cycle	50,000 times
Mounting	G13
Ambient Temperature	-20°C ~60°C
Storage Temperature	-30°C ~70°C
Ambient Humidity	85% RH
Storage Humidity	85% RH
Sensor	No
Dimable	No

APPLIED STANDARD TCVN11846: 2017/IEC 62560:2017, TCVN7186:2018/CISPR15



# T02/Tube Pure Light

Model name	Power	Lighting Performance	Luminous Flux	Colour Temp	Colour Rendering Index
LED T02 18W 6500K	18W	90 lm/W	1800 lm	6500K	80 Ra
LED T02 18W 4000K	18W	lm/W	1800 lm	4000K	80 Ra
LED T02 18W 2700K	18W	lm/W	1700 lm	2700K	80 Ra



## LED TUBE T SERIES

L	1212.7 mm
W	29.03 mm
H	32.14 mm
Weight	300g
Beam Angle	120°

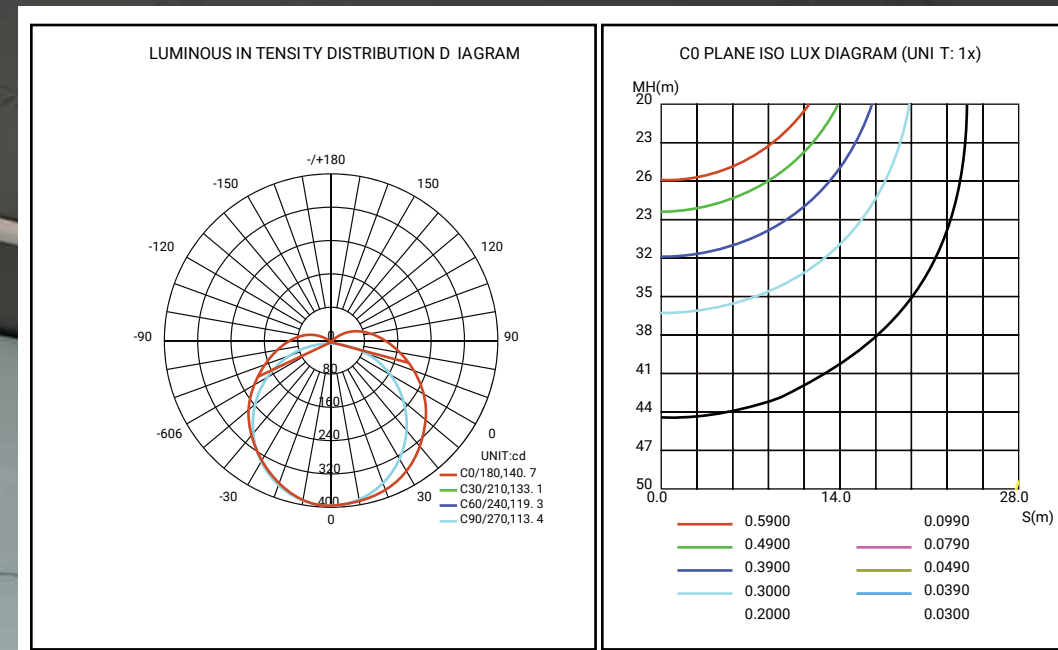
## ELECTRICAL SPECIFICATION

Input Voltage	180 -250V
Input Frequency	50/60 Hz
Max Current	0.15A
Power Factor	≥ 0.5
Insulation resistance	≥ 4MΩ
Inrush Time	< 0.5s
Electromagnetic interference	CISPR 15
Driver Type	Non-Isolated
Warranty	02 years

## GENERAL INFORMATION

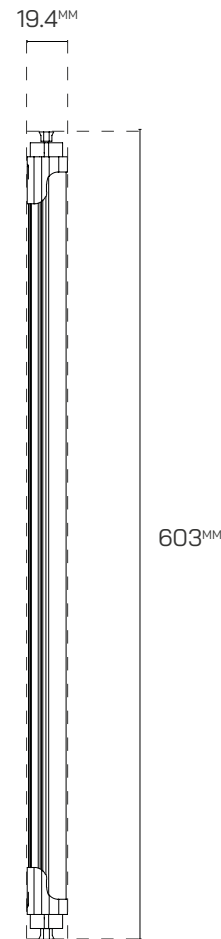
Lifetime	20,000
Switching Cycle	50,000 times
Mounting	G13
Ambient Temperature	-20°C ~60°C
Storage Temperature	-30°C ~70°C
Ambient Humidity	85% RH
Storage Humidity	85% RH
Sensor	No
Dimable	No

APPLIED STANDARD TCVN11846: 2017/IEC 62560:2017, TCVN7186:2018/CISPR15



# T03/Tube Pure Light

Model name	Power	Lighting Performance	Luminous Flux	Colour Temp	Colour Rendering Index
LED T03 8W 6500K	8W	100 lm/W	800 lm	6500K	83 Ra
LED T03 8W 4000K	8W	100 lm/W	800 lm	4000K	83 Ra
LED T03 8W 2700K	8W	95 lm/W	750 lm	2700K	83 Ra



## LED TUBE T SERIES

L	603.0 mm
W	19.4 mm
H	35.1 mm
Weight	110 g
Beam Angle	100°

## ELECTRICAL SPECIFICATION

Input Voltage	150 - 250V
Input Frequency	50 Hz
Max Current	
Power Factor	≥ 0.5
Total Harmonic Distortion	< 15%
Insulation resistance	≥ 4MΩ
Inrush Time	< 0.5s
Electromagnetic interference	CISPR 15
Driver Type	Non-Isolated
Warranty	02 years

## GENERAL INFORMATION

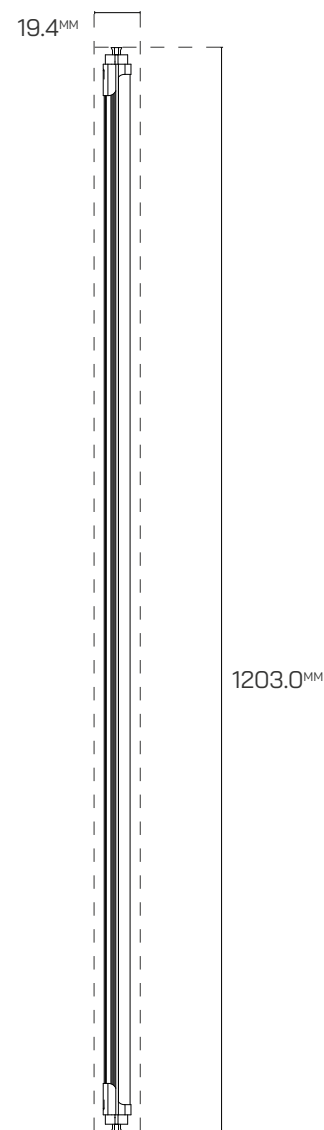
Lifetime	20,000
Switching Cycle	50,000 times
Mounting	NA
Ambient Temperature	-20°C ~60°C
Storage Temperature	-30°C ~70°C
Ambient Humidity	85% RH
Storage Humidity	85% RH
Sensor	No
Dimable	No

APPLIED STANDARD TCVN 10885-2-1:2015 / IEC 62776-2-1:2015  
TCVN 7722-1:2009/ IEC 60598-1: 2008, TCVN7186/CISPR15



# T04/Tube Pure Light

Model name	Power	Lighting Performance	Luminous Flux	Colour Temp	Colour Rendering Index
LED T04 16W 6500K	16W	100 lm/W	1600 lm	6500K	83 Ra
LED T04 16W 4000K	16W	100 lm/W	1600 lm	4000K	83 Ra
LED T04 16W 2700K	16W	95 lm/W	1500 lm	2700K	83 Ra



## LED TUBE T SERIES

L	603.0 mm
W	19.4 mm
H	35.1 mm
Weight	110 g
Beam Angle	100°

## ELECTRICAL SPECIFICATION

Input Voltage	150 - 250V
Input Frequency	50 Hz
Max Current	
Power Factor	≥ 0.5
Total Harmonic Distortion	< 15%
Insulation resistance	≥ 4MΩ
Inrush Time	< 0.5s
Electromagnetic interference	CISPR 15
Driver Type	Non-Isolated
Warranty	02 years

## GENERAL INFORMATION

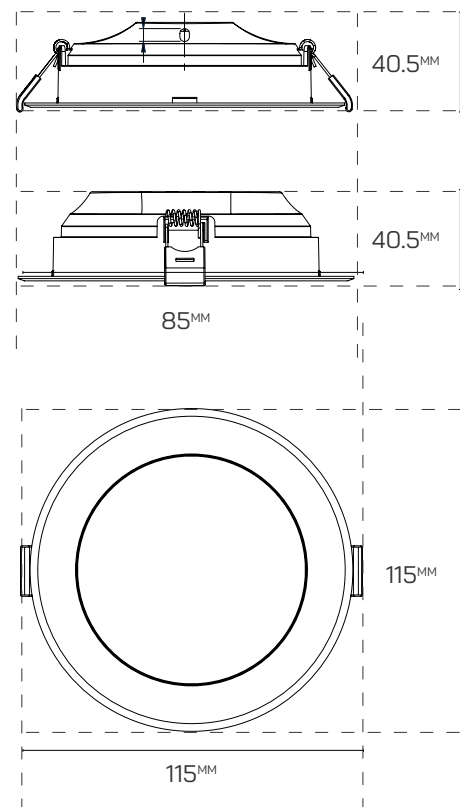
Lifetime	20,000
Switching Cycle	50,000 times
Mounting	NA
Ambient Temperature	-20°C ~60°C
Storage Temperature	-30°C ~70°C
Ambient Humidity	85% RH
Storage Humidity	85% RH
Sensor	No
Dimable	No

APPLIED STANDARD TCVN 10885-2-1:2015 / IEC 62776-2-1:2015  
TCVN 7722-1:2009/ IEC 60598-1: 2008, TCVN7186/CISPR15



# DL01/Downlight Ceiling Lights

Model name	Power	Lighting Performance	Luminous Flux	Colour Temp	Colour Rendering Index
LED DL01 5W 6500K	5W	85 lm/W	450 lm	6500K	80 Ra
LED DL01 5W 4000K	5W	85 lm/W	450 lm	4000K	80 Ra
LED DL01 5W 2700K	5W	75 lm/W	400lm	2700K	80 Ra
LED DL01 7W 6500K	7W	85 lm/W	650 lm	6500K	80 Ra
LED DL01 7W 4000K	7W	85 lm/W	650lm	4000K	80 Ra
LED DL01 7W 2700K	7W	75 lm/W	600 lm	2700K	80 Ra
LED DL01 9W 6500K	9W	85 lm/W	800 lm	6500K	80 Ra
LED DL01 9W 4000K	9W	85 lm/W	800 lm	4000K	80 Ra
LED DL01 9W 2700K	9W	75 lm/W	750 lm	2700K	80 Ra



## LED DOWNLIGHT SERIES

H	40.5 mm
ØD	115 mm

Weight	52g
Beam Angle	120 °

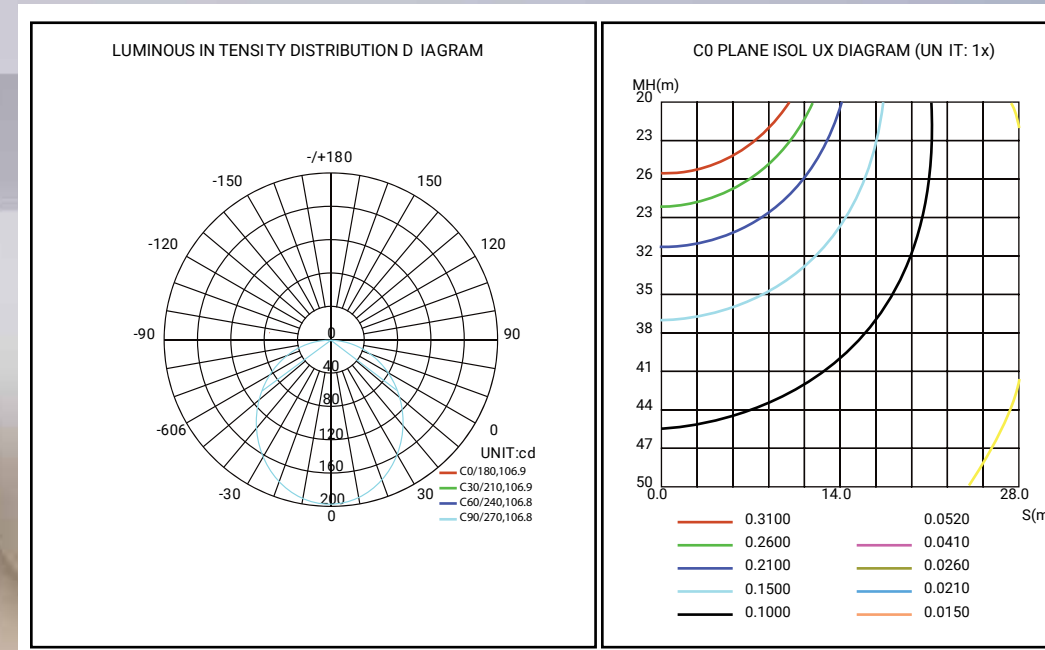
## ELECTRICAL SPECIFICATION

Input Voltage	150 - 250V
Input Frequency	50/60 Hz
Max Current	0.07A (5W) 0.08A (7W) 0.10A (9W)
Power Factor	≥ 0.5
Insulation resistance	≥ 4MΩ
Inrush Time	< 0.5s
Electromagnetic interference	CISPR 15
Driver Type	Non-Isolated
Warranty	02 years

## GENERAL INFORMATION

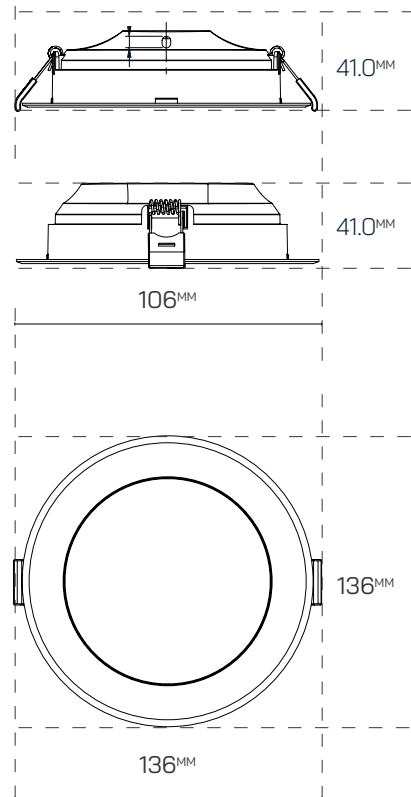
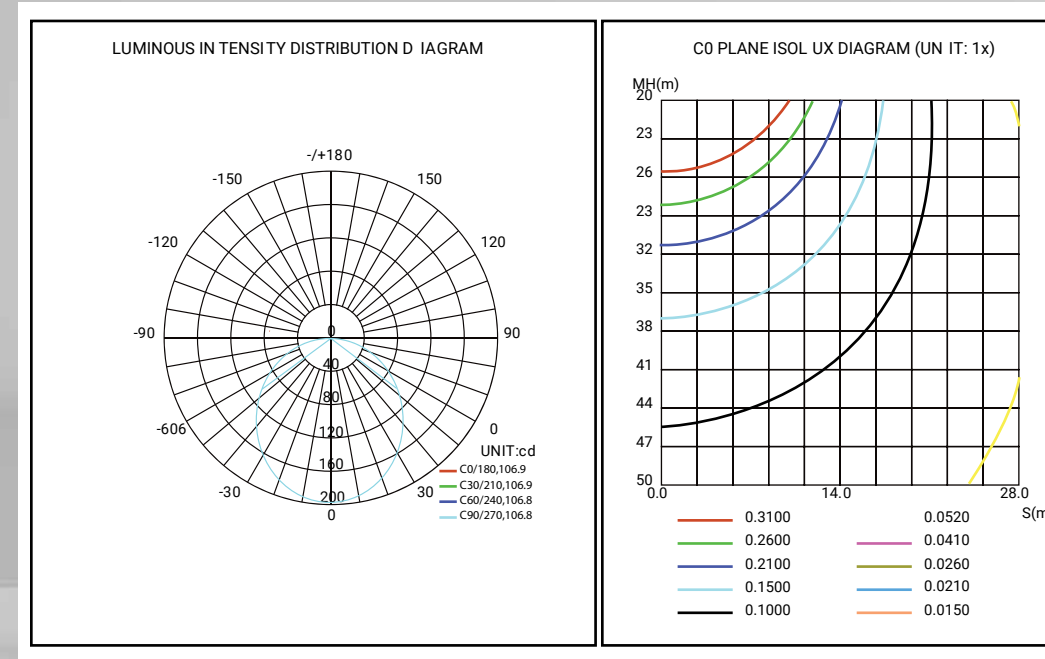
Lifetime	20,000
Switching Cycle	50,000 times
Mounting	NA
Ambient Temperature	-20°C ~60°C
Storage Temperature	-30°C ~70°C
Ambient Humidity	85% RH
Storage Humidity	85% RH
Sensor	No
Dimable	No

APPLIED STANDARD TCVN 7722-1:2009/ IEC 60598-1: 2008,TCVN7186/ CISPR15



# DL02/Downlight Ceiling Lights

Model name	Power	Lighting Performance	Luminous Flux	Colour Temp	Colour Rendering Index
LED DL02 7W 6500K	7W	95 lm/W	700 lm	6500K	80 Ra
LED DL02 7W 4000K	7W	95 lm/W	700 lm	4000K	80 Ra
LED DL02 7W 2700K	7W	90 lm/W	650lm	2700K	80 Ra
LED DL02 9W 6500K	9W	95 lm/W	900 lm	6500K	80 Ra
LED DL02 9W 4000K	9W	95 lm/W	900lm	4000K	80 Ra
LED DL02 9W 2700K	9W	90 lm/W	850 lm	2700K	80 Ra
LED DL02 12W 6500K	12W	95 lm/W	1200 lm	6500K	80 Ra
LED DL02 12W 4000K	12W	95 lm/W	1200 lm	4000K	80 Ra
LED DL02 12W 2700K	12W	90 lm/W	1100 lm	2700K	80 Ra



## LED DOWNLIGHT SERIES

H	41 mm
ØD	136 mm

Weight	52g
Beam Angle	150°

## ELECTRICAL SPECIFICATION

Input Voltage	150 - 250V
Input Frequency	50/60 Hz
Max Current	0.08A (7W) 0.1A (9W) 0.13A (12W)
Power Factor	≥ 0.5
Insulation resistance	≥ 4MΩ
Inrush Time	< 0.5s
Electromagnetic interference	CISPR 15
Driver Type	Non-Isolated
Warranty	02 years

## GENERAL INFORMATION

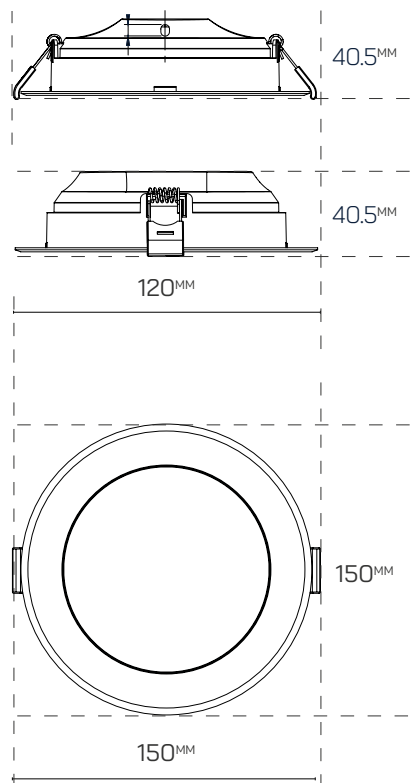
Lifetime	20,000 h
Switching Cycle	50,000 times
Mounting	NA
Ambient Temperature	-10°C ~40°C
Storage Temperature	-20°C ~50°C
Ambient Humidity	85% RH
Storage Humidity	85% RH
Sensor	No
Dimable	No

APPLIED STANDARD TCVN 7722-1:2009/ IEC 60598-1: 2008,TCVN7186/ CISPR15



# DL03/Downlight Ceiling Lights

Model name	Power	Lighting Performance	Luminous Flux	Colour Temp	Colour Rendering Index
LED DL03 9W 6500K	9W	90 lm/W	900 lm	6500K	80 Ra
LED DL03 9W 4000K	9W	90 lm/W	900lm	4000K	80 Ra
LED DL03 9W 2700K	9W	80 lm/W	850 lm	2700K	80 Ra
LED DL03 12W 6500K	12W	90 lm/W	1200 lm	6500K	80 Ra
LED DL03 12W 4000K	12W	90 lm/W	1200 lm	4000K	80 Ra
LED DL03 12W 2700K	12W	80 lm/W	1100 lm	2700K	80 Ra



## LED DOWNLIGHT SERIES

H	40.5 mm
ØD	150 mm
Weight	65g
Beam Angle	150°

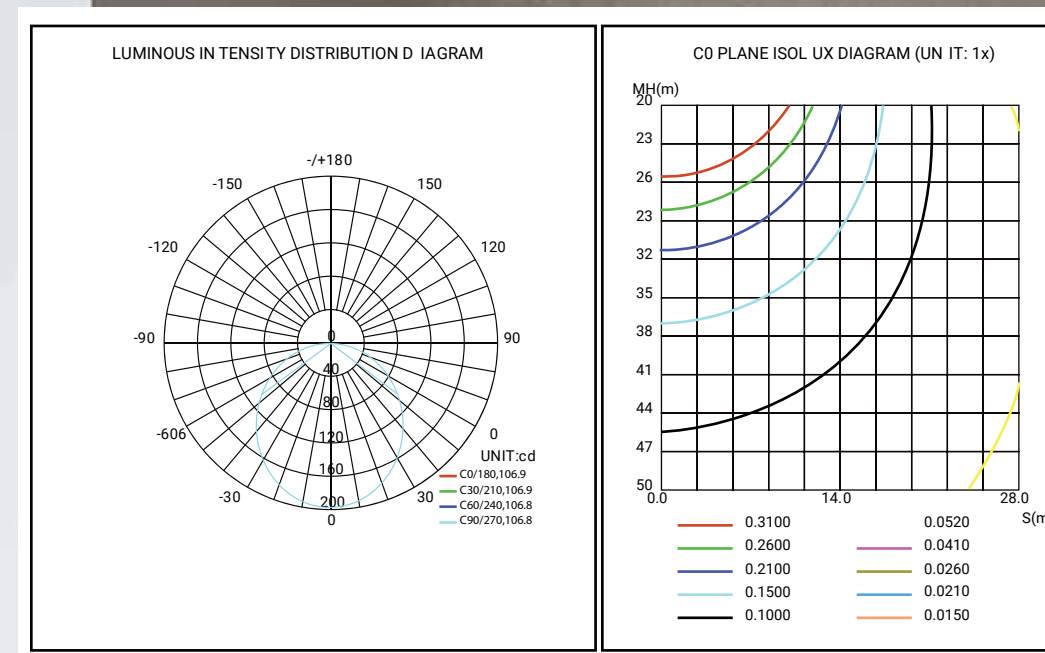
## ELECTRICAL SPECIFICATION

Input Voltage	150 - 250V
Input Frequency	50/60 Hz
Max Current	0.1A (9W) 0.14A (12W)
Power Factor	≥ 0.5
Insulation resistance	≥ 4MΩ
Inrush Time	< 0.5s
Electromagnetic interference	CISPR 15
Driver Type	Non-Isolated
Warranty	02 years

## GENERAL INFORMATION

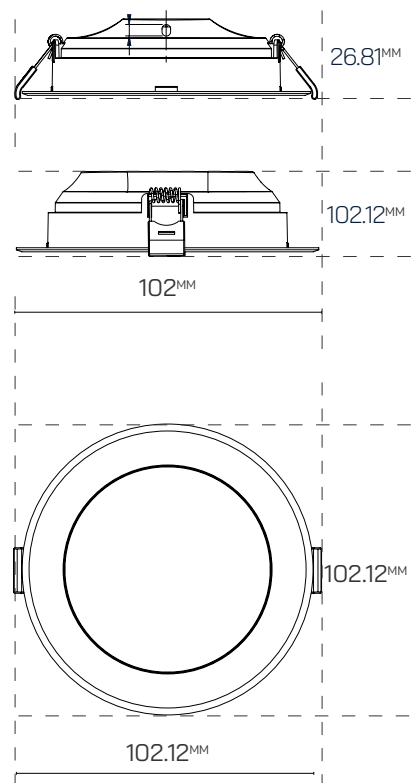
Lifetime	20,000
Switching Cycle	50,000 times
Mounting	NA
Ambient Temperature	-10°C ~40°C
Storage Temperature	-20°C ~50°C
Ambient Humidity	85% RH
Storage Humidity	85% RH
Sensor	No
Dimable	No

APPLIED STANDARD TCVN 7722-1:2009/ IEC 60598-1: 2008,TCVN7186/ CISPR15



# DL01/Downlight Slim

Model name	Power	Lighting Performance	Luminous Flux	Colour Temp	Colour Rendering Index
LED DL01 7W 6500K SLIM	7W	90 lm/W	750 lm	6000K	80 Ra



## LED DOWNLIGHT SERIES

H	26.81 mm
ØD	102.12 mm
Beam Angle	120°

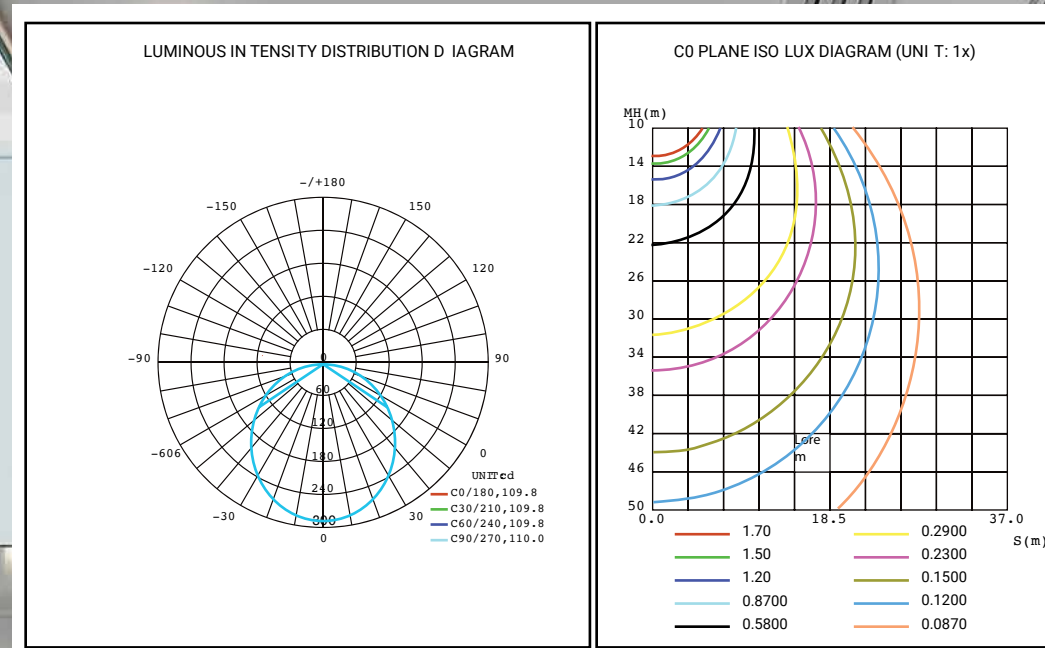
## ELECTRICAL SPECIFICATION

Input Voltage	150 - 250V
Input Frequency	50/60 Hz
Max Current	0.08A (7W)
Power Factor	≥ 0.5
Insulation resistance	≥ 4MΩ
Inrush Time	< 0.5s
Electromagnetic interference	CISPR 15
Driver Type	Non-Isolated
Warranty	02 years

## GENERAL INFORMATION

Lifetime	20,000
Switching Cycle	50,000 times
Mounting	N/A
Ambient Temperature	-10°C ~40°C
Storage Temperature	-20°C ~50°C
Ambient Humidity	85% RH
Storage Humidity	85% RH
Sensor	No
Dimable	No

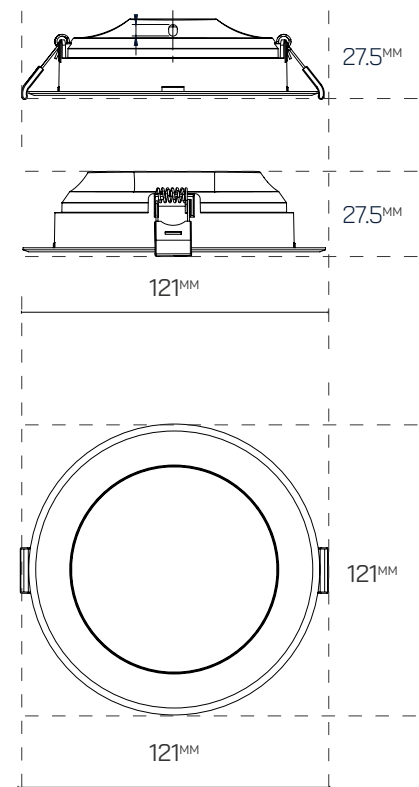
APPLIED STANDARD TCVN 7722-1:2009/ IEC 60598-1: 2008,TCVN7186/ CISPR15





# DL02/Downlight Slim

Model name	Power	Lighting Performance	Luminous Flux	Colour Temp	Colour Rendering Index
LED DL02 7W 6500K SLIM	7W	95 lm/W	750 lm	6000K	80 Ra
LED DL02 9W 6500K SLIM	9W	95 lm/W	950 lm	6000K	80 Ra



## LED DOWNLIGHT SERIES

H	25.11 mm
ØD	121 mm
Beam Angle	120°

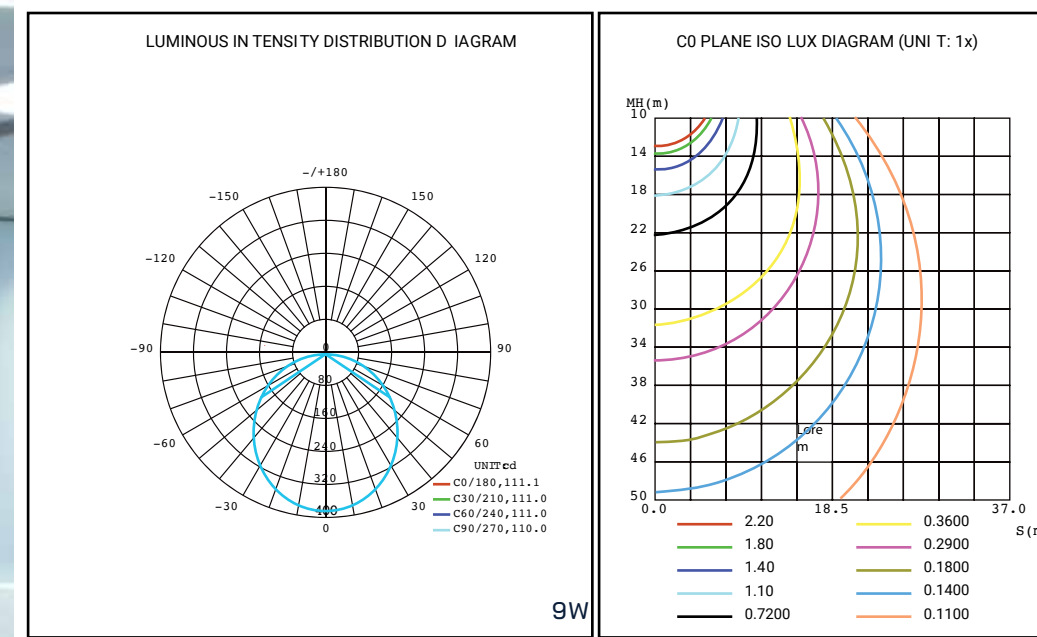
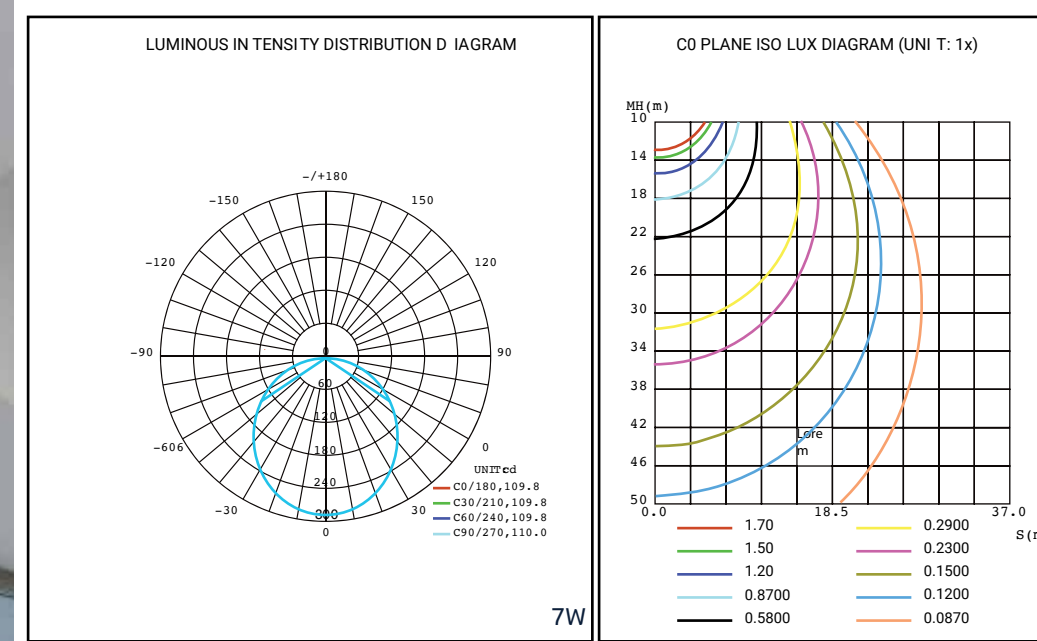
## ELECTRICAL SPECIFICATION

Input Voltage	150 - 250V
Input Frequency	50/60 Hz
Max Current	0.08A (7W) 0.1A (9W)
Power Factor	≥ 0.5
Insulation resistance	≥ 4MΩ
Inrush Time	< 0.5s
Electromagnetic interference	CISPR 15
Driver Type	Non-Isolated
Warranty	02 years

## GENERAL INFORMATION

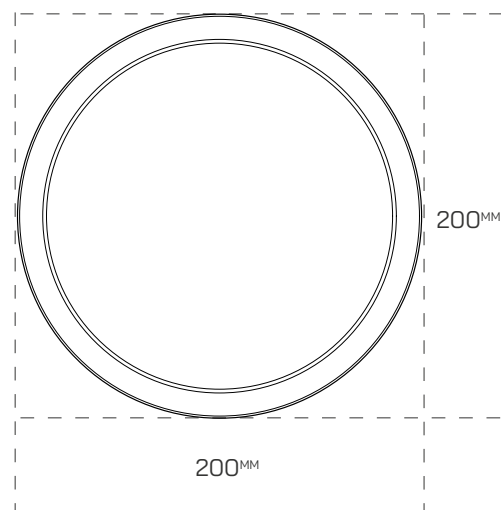
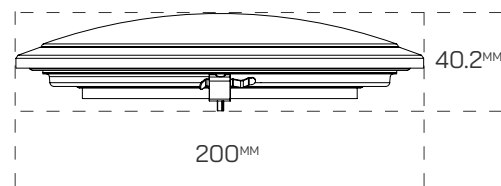
Lifetime	20,000 h
Switching Cycle	50,000 times
Mounting	N/A
Ambient Temperature	-10°C ~40°C
Storage Temperature	-20°C ~50°C
Ambient Humidity	85% RH
Storage Humidity	85% RH
Sensor	No
Dimable	No

APPLIED STANDARD TCVN 7722-1:2009/ IEC 60598-1: 2008,TCVN7186/ CISPR15



# DL04/Downlight Ceiling Recessed

Model name	Power	Lighting Performance	Luminous Flux	Colour Temp	Colour Rendering Index
LED DL04 15W 6500K	15W	100 lm/W	1500 lm	6500K	82 Ra
LED DL04 15W 4000K	15W	100 lm/W	1500lm	4000K	82 Ra
LED DL04 15W 2700K	15W	95l lm/W	1450 lm	2700K	82 Ra



## LED DOWNLIGHT SERIES

H 40.2 mm

ØD 200 mm

Weight ... g

Beam Angle 150°

## ELECTRICAL SPECIFICATION

Input Voltage 150 - 250V

Input Frequency 50 Hz

Max Current 100 mA (15W)  
120 mA (18W)  
240 mA (24W)

Power Factor ≥ 0.5

Insulation resistance ≥ 4MΩ

Inrush Time < 0.5s

Electromagnetic interference CISPR 15

Driver Type Non-Isolated

Warranty 02 years

## GENERAL INFORMATION

Lifetime 20,000

Switching Cycle 50,000 times

Mounting N/A

Ambient Temperature -10°C ~40°C

Storage Temperature -20°C ~50°C

Ambient Humidity 85% RH

Storage Humidity 85% RH

Sensor No

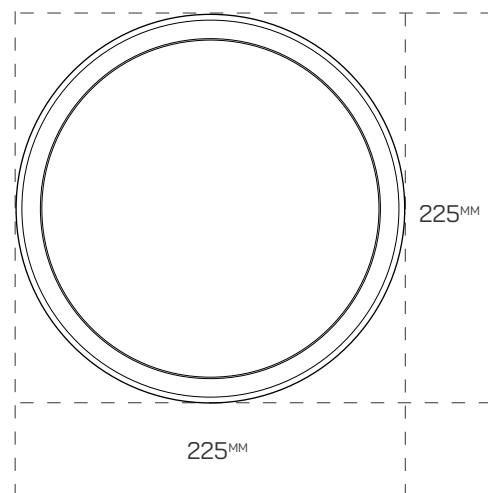
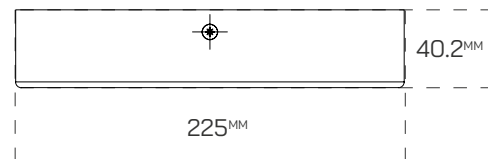
Dimable No

APPLIED STANDARD TCVN 7722-1/ IEC 60598-1, TCVN7186/CISPR15



# DL05/Downlight Ceiling Recessed

Model name	Power	Lighting Performance	Luminous Flux	Colour Temp	Colour Rendering Index
LED DL05 18W 6500K	18W	100 lm/W	1800 lm	6500K	82 Ra
LED DL05 18W 4000K	18W	100 lm/W	1800lm	4000K	82 Ra
LED DL05 18W 2700K	18W	95l lm/W	1750 lm	2700K	82 Ra



## LED DOWNLIGHT SERIES

H 40.2 mm

ØD 225 mm

Weight ... g

Beam Angle 150°

## ELECTRICAL SPECIFICATION

Input Voltage 150 - 250V

Input Frequency 50 Hz

Max Current 100 mA (15W)  
120 mA (18W)  
240 mA (24W)

Power Factor ≥ 0.5

Insulation resistance ≥ 4MΩ

Inrush Time < 0.5s

Electromagnetic interference CISPR 15

Driver Type Non-Isolated

Warranty 02 years

## GENERAL INFORMATION

Lifetime 20,000

Switching Cycle 50,000 times

Mounting N/A

Ambient Temperature -10°C ~40°C

Storage Temperature -20°C ~50°C

Ambient Humidity 85% RH

Storage Humidity 85% RH

Sensor No

Dimable No

APPLIED STANDARD TCVN 7722-1/ IEC 60598-1, TCVN7186/CISPR15

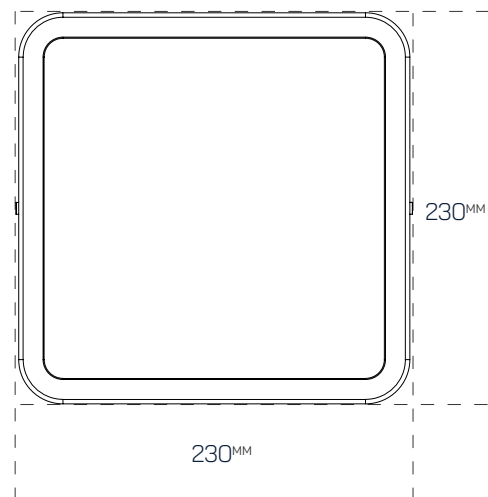
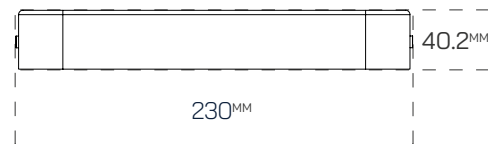


ĐANG ĐỢI DỮ LIỆU BIỂU ĐỒ CHÍNH THỨC TỪ R&D



# DL06/Downlight Ceiling Recessed

Model name	Power	Lighting Performance	Luminous Flux	Colour Temp	Colour Rendering Index
LED DL06 18W 6500K	18W	100 lm/W	1800 lm	6500K	82 Ra
LED DL06 18W 4000K	18W	100 lm/W	1800lm	4000K	82 Ra
LED DL06 18W 2700K	18W	95l lm/W	1750 lm	2700K	82 Ra



## LED DOWNLIGHT SERIES

H	40.2 mm
ØD	230 mm
Weight	... g
Beam Angle	150°

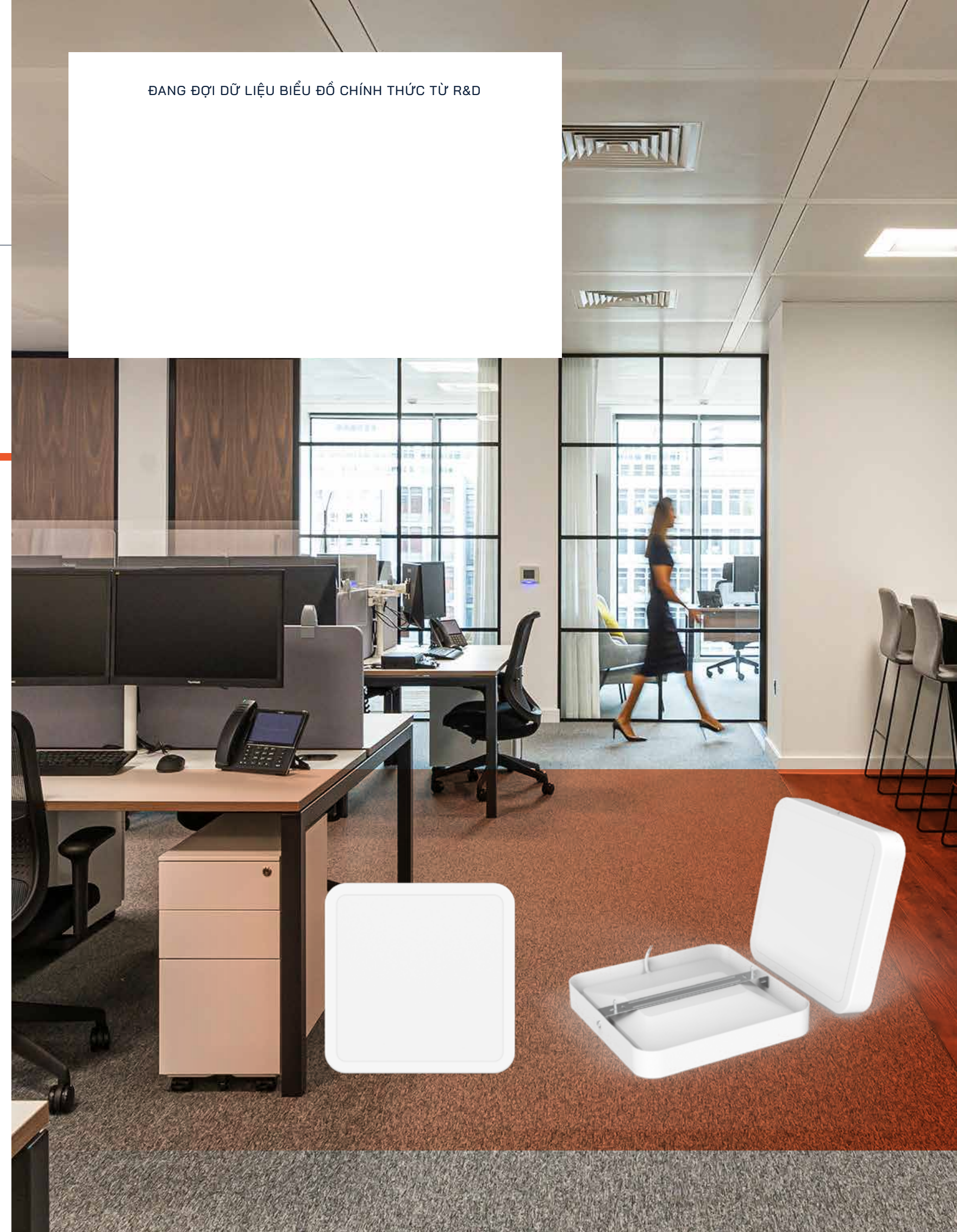
## ELECTRICAL SPECIFICATION

Input Voltage	150 - 250V
Input Frequency	50 Hz
Max Current	100 mA (15W) 120 mA (18W) 240 mA (24W)
Power Factor	≥ 0.5
Insulation resistance	≥ 4MΩ
Inrush Time	< 0.5s
Electromagnetic interference	CISPR 15
Driver Type	Non-Isolated
Warranty	02 years

## GENERAL INFORMATION

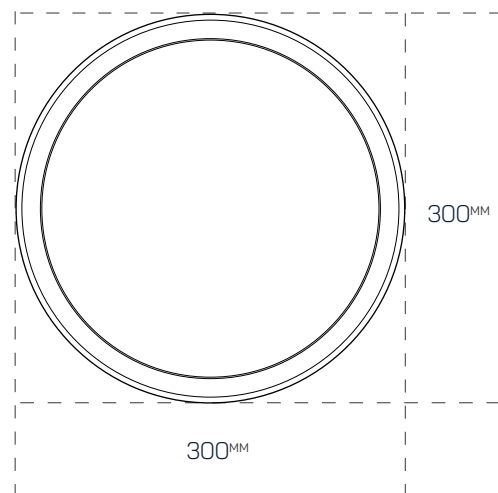
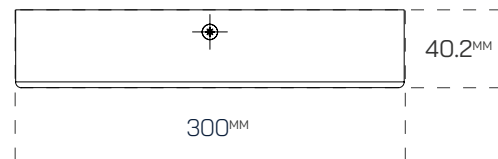
Lifetime	20,000
Switching Cycle	50,000 times
Mounting	N/A
Ambient Temperature	-10°C ~40°C
Storage Temperature	-20°C ~50°C
Ambient Humidity	85% RH
Storage Humidity	85% RH
Sensor	No
Dimable	No

APPLIED STANDARD TCVN 7722-1/ IEC 60598-1, TCVN7186/CISPR15



# DL07/Downlight Ceiling Recessed

Model name	Power	Lighting Performance	Luminous Flux	Colour Temp	Colour Rendering Index
LED DL07 24W 6500K	24W	100 lm/W	2400 lm	6500K	82 Ra
LED DL07 24W 4000K	24W	100 lm/W	2400lm	4000K	82 Ra
LED DL07 24W 2700K	24W	95l lm/W	2300 lm	2700K	82 Ra



## LED DOWNLIGHT SERIES

H 40.2 mm

ØD 300 mm

Weight ... g

Beam Angle 150°

## ELECTRICAL SPECIFICATION

Input Voltage 150 - 250V

Input Frequency 50 Hz

Max Current 100 mA (15W)  
120 mA (18W)  
240 mA (24W)

Power Factor ≥ 0.5

Insulation resistance ≥ 4MΩ

Inrush Time < 0.5s

Electromagnetic interference CISPR 15

Driver Type Non-Isolated

Warranty 02 years

## GENERAL INFORMATION

Lifetime 20,000

Switching Cycle 50,000 times

Mounting N/A

Ambient Temperature -10°C ~40°C

Storage Temperature -20°C ~50°C

Ambient Humidity 85% RH

Storage Humidity 85% RH

Sensor No

Dimable No

APPLIED STANDARD TCVN 7722-1/ IEC 60598-1, TCVN7186/CISPR15

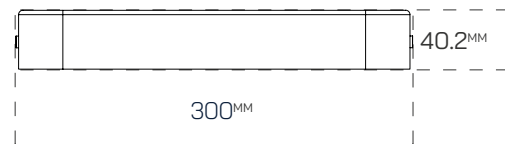


ĐANG ĐỢI DỮ LIỆU BIỂU ĐỒ CHÍNH THỨC TỪ R&D



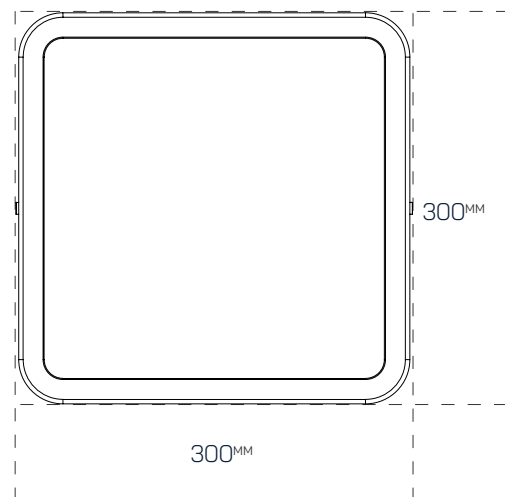
# DL08/Downlight Ceiling Recessed

Model name	Power	Lighting Performance	Luminous Flux	Colour Temp	Colour Rendering Index
LED DL08 24W 6500K	24W	100 lm/W	2400 lm	6500K	82 Ra
LED DL08 24W 4000K	24W	100 lm/W	2400lm	4000K	82 Ra
LED DL08 24W 2700K	24W	95l lm/W	2300 lm	2700K	82 Ra



## LED DOWNLIGHT SERIES

H	40.2 mm
ØD	300 mm
Weight	... g
Beam Angle	150°



## ELECTRICAL SPECIFICATION

Input Voltage	150 - 250V
Input Frequency	50 Hz
Max Current	100 mA (15W) 120 mA ( 18W) 240 mA (24W)
Power Factor	≥ 0.5
Insulation resistance	≥ 4MΩ
Inrush Time	< 0.5s
Electromagnetic interference	CISPR 15
Driver Type	Non-Isolated
Warranty	02 years

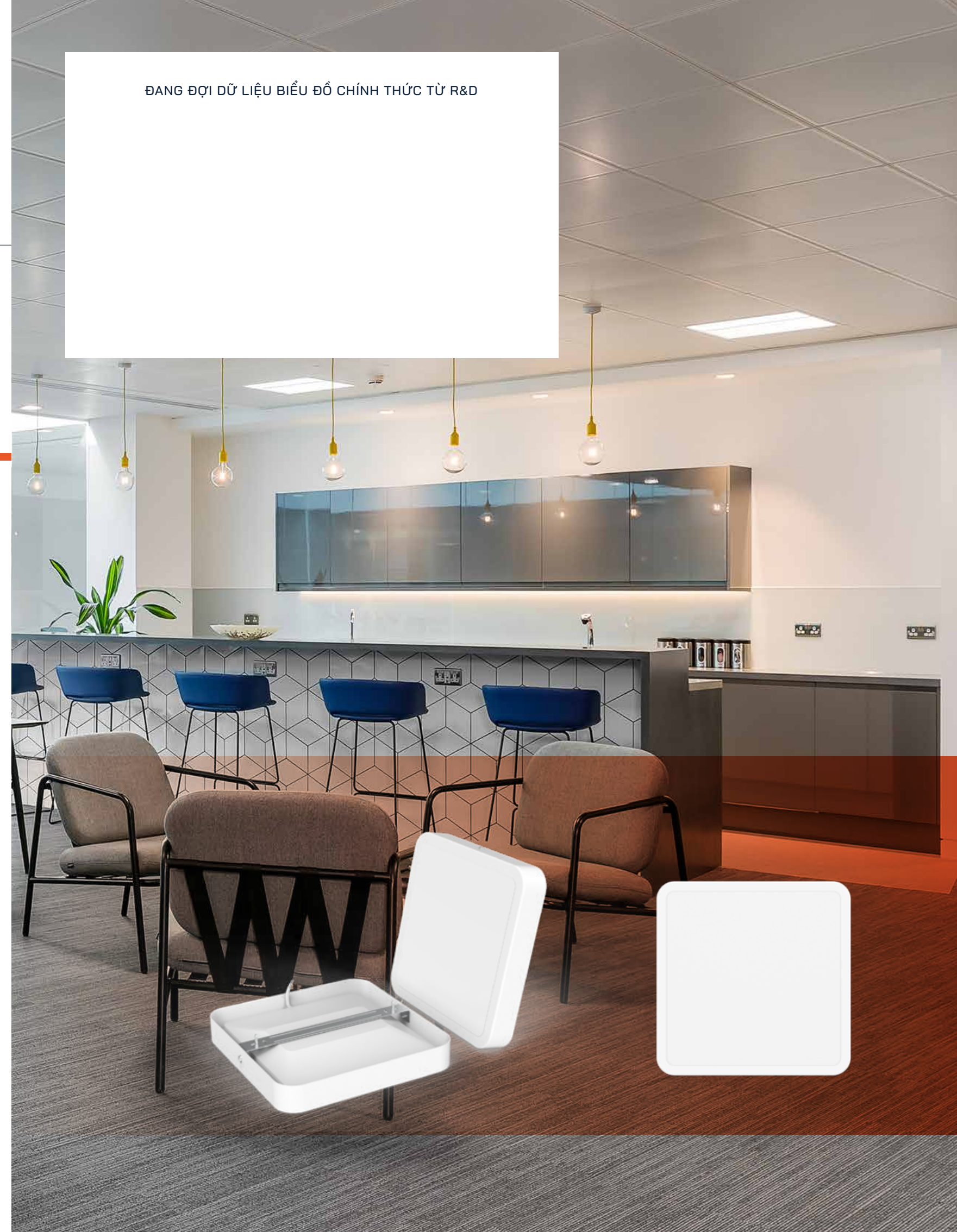
## GENERAL INFORMATION

Lifetime	20,000
Switching Cycle	50,000 times
Mounting	N/A
Ambient Temperature	-10°C ~40°C
Storage Temperature	-20°C ~50°C
Ambient Humidity	85% RH
Storage Humidity	85% RH
Sensor	No
Dimable	No

APPLIED STANDARD TCVN 7722-1/ IEC 60598-1, TCVN7186/CISPR15

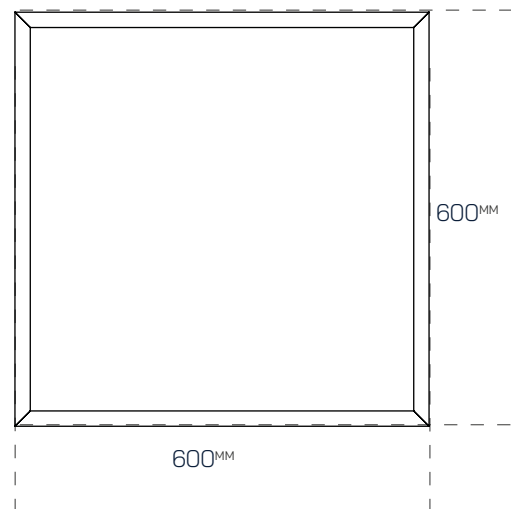
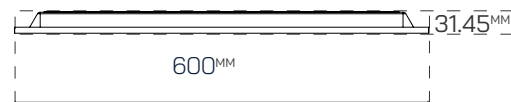


ĐANG ĐỢI DỮ LIỆU BIỂU ĐỒ CHÍNH THỨC TỪ R&D



# PN03/Panel Protect Lights

Model name	Power	Lighting Performance	Luminous Flux	Colour Temp	Colour Rendering Index
LED PN03 40W 6500K	40W	95 lm/W	4000 lm	6500K	80 Ra



## LED PANEL SERIES

L	600 mm
W	600 mm
H	31.45 mm
Weight	3000 g
Beam Angle	120°

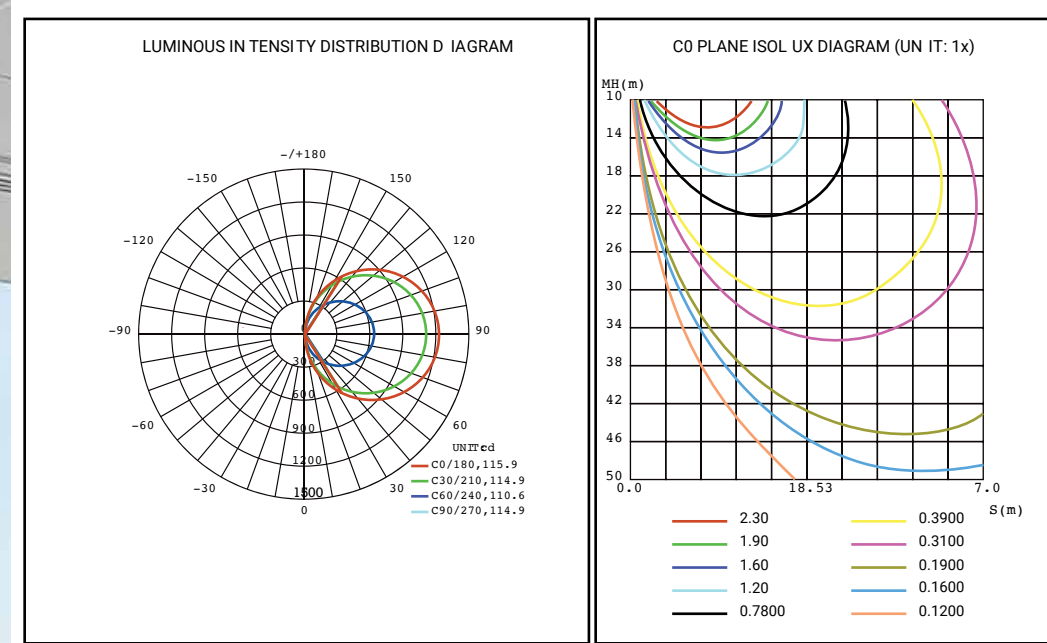
## ELECTRICAL SPECIFICATION

Input Voltage	150 -250V
Input Frequency	50/60 Hz
Max Current	300mA
Power Factor	≥ 0.9
Insulation resistance	≥ 4MΩ
Inrush Time	< 0.5s
Electromagnetic interference	CISPR 15
Driver Type	Isolated
Warranty	02 years

## GENERAL INFORMATION

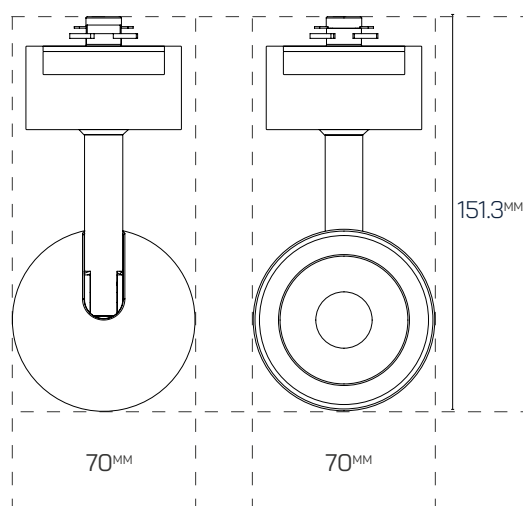
Lifetime	20,000
Switching Cycle	50,000 times
Mounting	
Ambient Temperature	-10°C ~40°C
Storage Temperature	-20°C ~50°C
Ambient Humidity	85% RH
Storage Humidity	85% RH
Sensor	No
Dimable	No

APPLIED STANDARD TCVN 7722-1/ IEC 60598-1, TCVN 7186:2018/ CISPR 15



# SP02/Spotlight Protect Lights

Model name	Power	Lighting Performance	Luminous Flux	Colour Temp	Colour Rendering Index
LED SP02 7W 6500K	7W	100 lm/W	700 lm	6500K	83 Ra
LED SP02 7W 4000K	7W	100 lm/W	700lm	4000K	83 Ra
LED SP02 7W 2700K	7W	95l lm/W	650 lm	2700K	83 Ra



## LED SPOTLIGHT SERIES

L	127 mm
W	70 mm
H	151.3 mm
Weight	... g
Beam Angle	20°

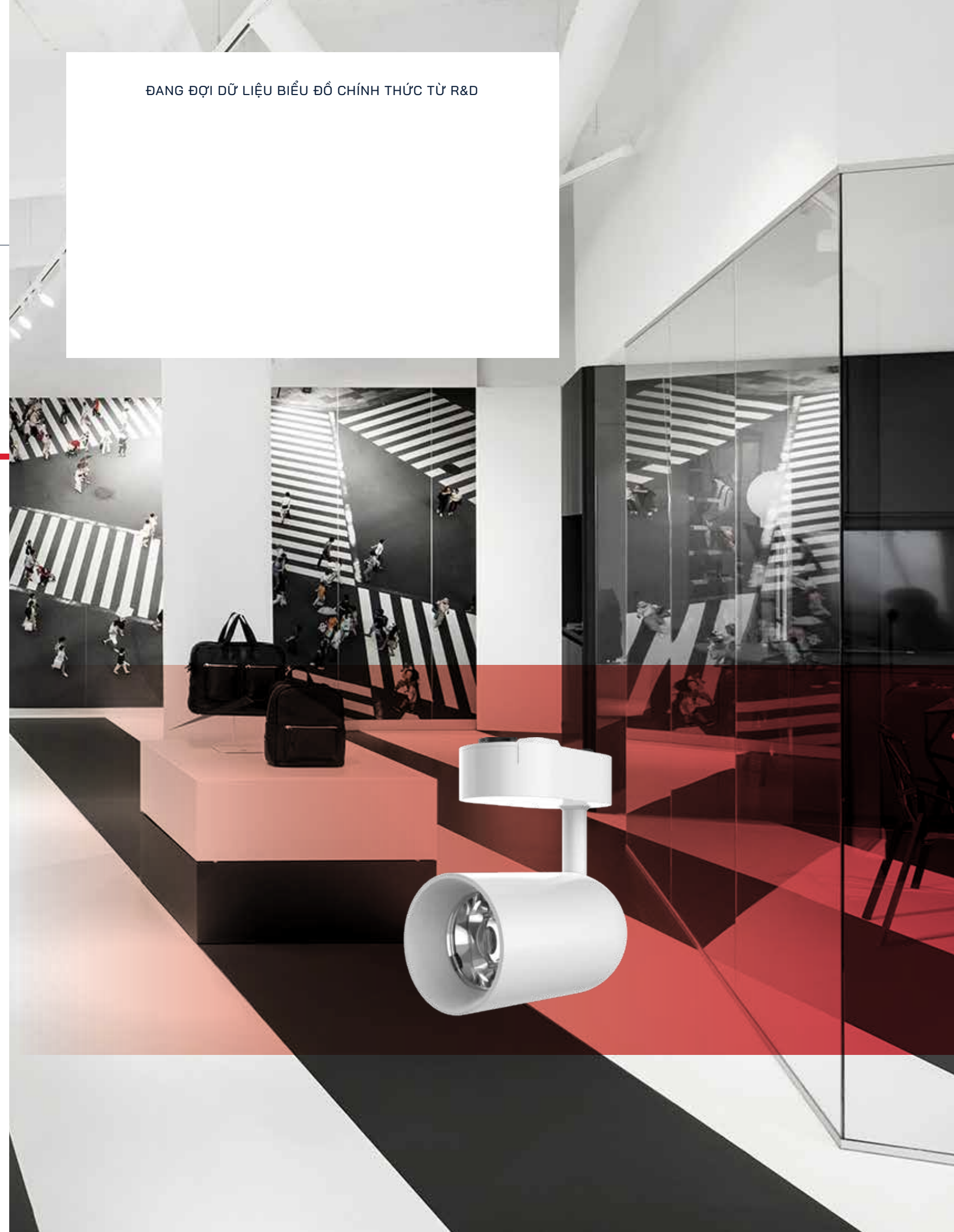
## ELECTRICAL SPECIFICATION

Input Voltage	150 - 250V
Input Frequency	50 Hz
Max Current	
Power Factor	≥ 0.5
Insulation resistance	≥ 4MΩ
Inrush Time	< 0.5s
Electromagnetic interference	CISPR 15
Driver Type	Non-Isolated
Warranty	02 years

## GENERAL INFORMATION

Lifetime	20,000
Switching Cycle	50,000 times
Mounting	Track
Ambient Temperature	-10°C ~40°C
Storage Temperature	-20°C ~50°C
Ambient Humidity	85% RH
Storage Humidity	85% RH
Sensor	No
Dimable	No

APPLIED STANDARD TCVN 7722-1/ IEC 60598-1, TCVN7186/CISPR15







# PHENIKAA SMART-HUE

52

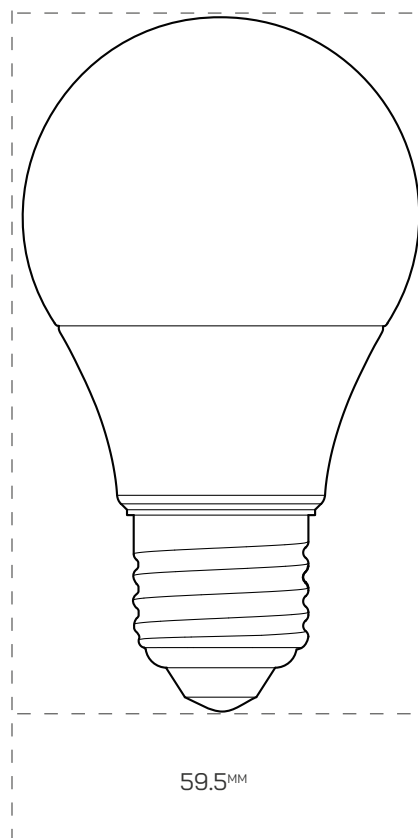
SMART BULB

54

SMART DOWNLIGHT

# A02/Bulb Pure Light CCH3

Model name	Power	Lighting Performance	Luminous Flux	Colour Temp	Colour Rendering Index
LED A02 9W CCH3	9W	100 lm/W	900-1200 lm	2700K/4000/6500K	80 Ra
LED A02 7W CCH3	7W	95 lm/W	670-880 lm	2700K/4000/6500K	80 Ra



## LED SMART HUE SERIES

L	110.75 mm
ØD	59.5 mm
Weight	44.9 g
Beam Angle	150 °

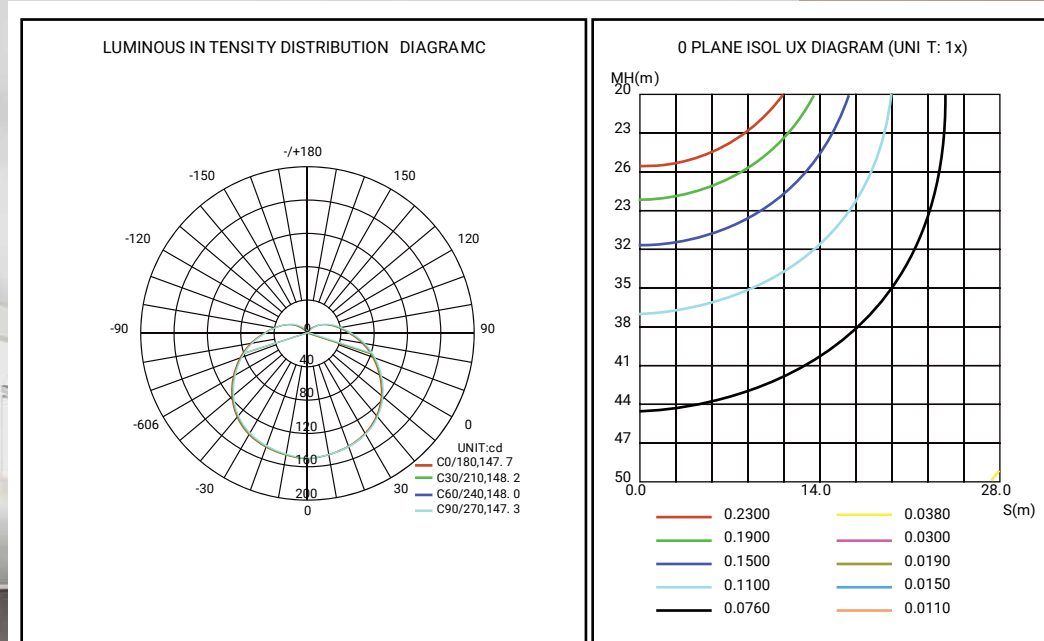
## ELECTRICAL SPECIFICATION

Input Voltage	150 - 250V
Input Frequency	50 Hz
Max Current	90 mA (9W) 60 mA (7W)
Power Factor	≥ 0.5
Insulation resistance	≥ 4MΩ
Inrush Time	< 0.5s
Electromagnetic interference	CISPR 15
Driver Type	Non-Isolated
Warranty	02 years

## GENERAL INFORMATION

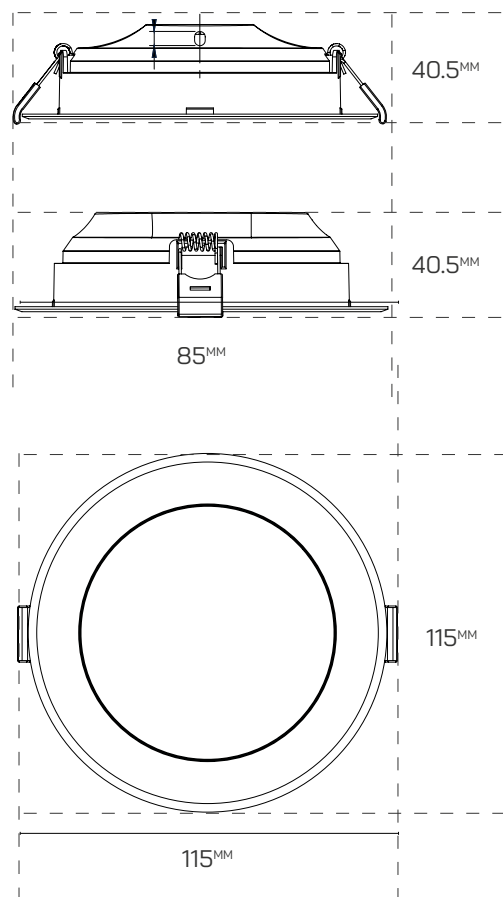
Lifetime	20,000
Switching Cycle	50,000 times
Mounting	E27 Base
Ambient Temperature	-10°C ~40°C
Storage Temperature	-20°C ~50°C
Ambient Humidity	85% RH
Storage Humidity	85% RH
Sensor	No
Dimable	No

APPLIED STANDARD TCVN8782/IEC 62560, TCVN 8783/IEC 62612, CISPR15



# DL01/Downlight Smart Hue

Model name	Power	Lighting Performance	Luminous Flux	Colour Temp	Colour Rendering Index
LED DL01 5W CCH3	5W	105 lm/W	500-600 lm	-	83 Ra
LED DL01 7W CCH3	7W	105 lm/W	700-800 lm	-	83 Ra



## LED SMART HUE SERIES

H	40.5 mm
ØD	115 mm
Weight	52g
Beam Angle	120 °

## ELECTRICAL SPECIFICATION

Input Voltage	150 - 250V
Input Frequency	50 Hz
Max Current	
Power Factor	≥ 0.5
Insulation resistance	≥ 4MΩ
Inrush Time	< 0.5s
Electromagnetic interference	CISPR 15
Driver Type	Non-Isolated
Warranty	02 years

## GENERAL INFORMATION

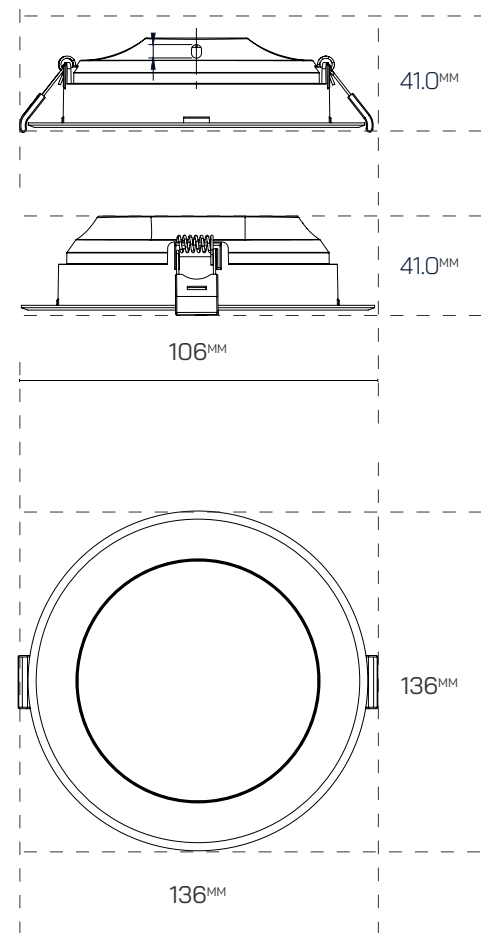
Lifetime	20,000
Switching Cycle	50,000 times
Mounting	NA
Ambient Temperature	-20°C ~60°C
Storage Temperature	-30°C ~70°C
Ambient Humidity	85% RH
Storage Humidity	85% RH
Sensor	No
Dimable	No

APPLIED STANDARD TCVN 7722-1:2009/ IEC 60598-1: 2008,TCVN7186/ CISPR15



# DL02/Downlight Smart Hue

Model name	Power	Lighting Performance	Luminous Flux	Colour Temp	Colour Rendering Index
LED DL02 9W CCH3	9W	105 lm/W	950-1050 lm	-	83 Ra



## LED SMART HUE SERIES

H 41 mm

ØD 136 mm

Weight 52g

Beam Angle 150 °

## ELECTRICAL SPECIFICATION

Input Voltage 150 - 250V

Input Frequency 50 Hz

Max Current

Power Factor  $\geq 0.5$

Insulation resistance  $\geq 4M\Omega$

Inrush Time  $< 0.5s$

Electromagnetic interference CISPR 15

Driver Type Non-Isolated

Warranty 02 years

## GENERAL INFORMATION

Lifetime 20,000

Switching Cycle 50,000 times

Mounting NA

Ambient Temperature  $-20^{\circ}C \sim 60^{\circ}C$

Storage Temperature  $-30^{\circ}C \sim 70^{\circ}C$

Ambient Humidity 85% RH

Storage Humidity 85% RH

Sensor No

Dimable No

APPLIED STANDARD TCVN 7722-1:2009/ IEC 60598-1: 2008,TCVN7186/ CISPR15





**PHENIKAA VIETNAM**

 NO.167 HOANG NGAN STR..TRUNG HOA.  
CAU GIAY. HA NOI (VIETNAM)

 HOA LAC HI-TECH PARK.  
THACH HOA. THACH THAT. HANOI (VIETNAM)

**HOTLINE (+84) 2 433 685 253**

[WWW.PHENIKAA.COM/LIGHTING](http://WWW.PHENIKAA.COM/LIGHTING)